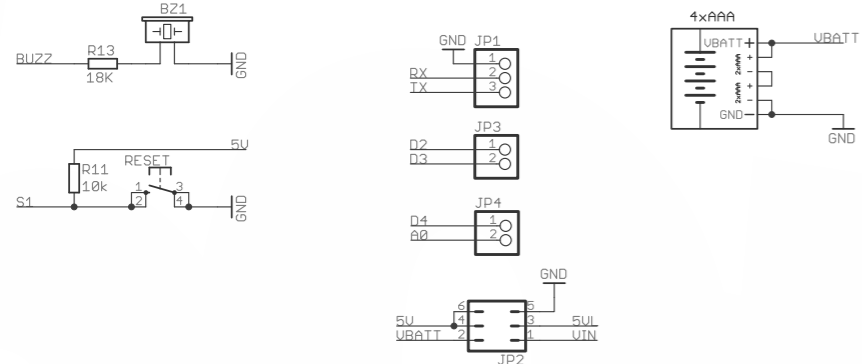
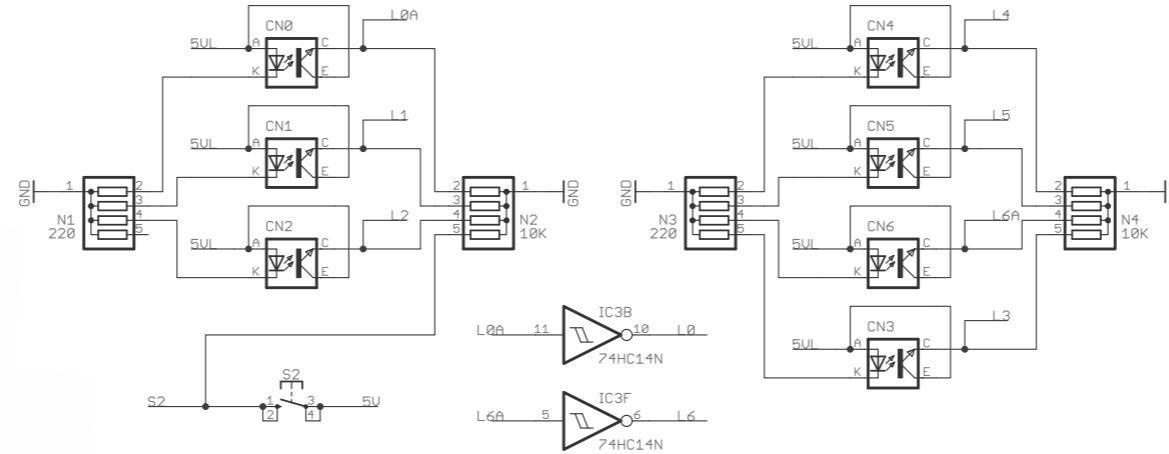


# Conectores y Baterías



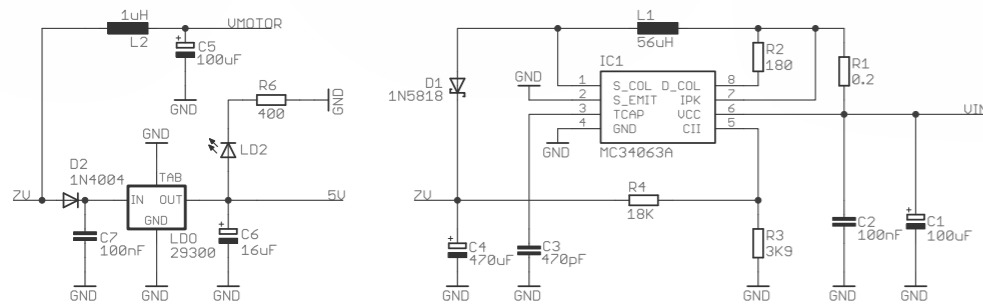
# Sensores



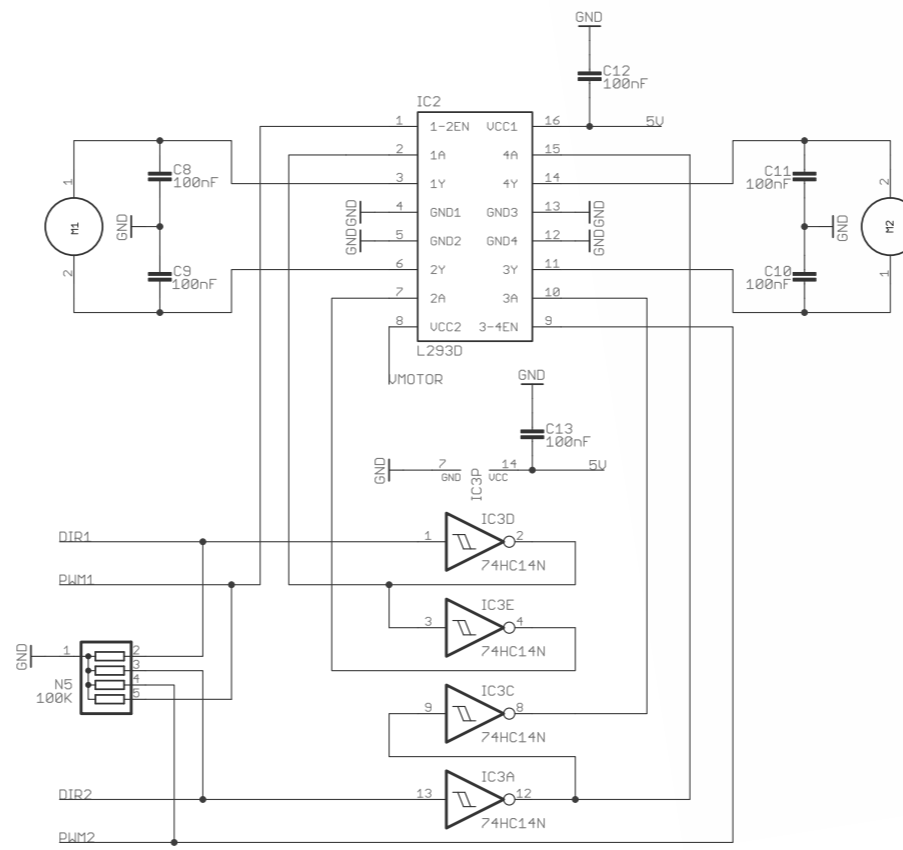
# Partlist

Part	Value	Device	Package
BC		BALLCASTER	POLOLU 3/8
BZ1		TDK_PS124	BUZZER
C1	100uF	CPOL-EUE2-5	E2-5
C2	100nF	C5/2.5N	C5B2.5N
C3	470pF	C5/5.5N	C5B5.5N
C4	470uF	CPOL-EUE3.5-8	E3,5-8
C5	100uF	CPOL-EUE2-5	E2-5
C6	16uF	CPOL-EUE2-5	E2-5
C7	100nF	C5/2.5N	C5B2.5N
C8	100nF	C5/2.5N	C5B2.5N
C9	100nF	C5/2.5N	C5B2.5N
C10	100nF	C5/2.5N	C5B2.5N
C11	100nF	C5/2.5N	C5B2.5N
C12	100nF	C5/2.5N	C5B2.5N
C13	100nF	C5/2.5N	C5B2.5N
C14	22pF	C5/2.5N	C5B2.5N
C15	22pF	C5/2.5N	C5B2.5N
C16	100nF	C5/2.5N	C5B2.5N
CN0		CNY70	CNY70
CN1		CNY70	CNY70
CN2		CNY70	CNY70
CN3		CNY70	CNY70
CN4		CNY70	CNY70
CN5		CNY70	CNY70
CN6		CNY70	CNY70
D1	1N5818	SCHOTTKY-DIODE	D041-7
D2	1N4004	1N40047	D041-7
IC1	MC34063A	MC34063AROUND	DIL8
IC2	L293D	L293DROUND	DIL16
IC3	74HC14N	74HC14N	DIL14
IC4	MEGA	MEGA	DIL28
JP1		PINHD-1X3	1X03
JP2		JP3Q	JP3Q
JP3		PINHD-1X2	1X02
JP4		PINHD-1X2	1X02
L1	56uH	DR0608-563L	INDUCTOR5X8
L2	1uH	INDUCTOR	0207/10
LD1		LED3MM	LED3MM
LD2		LED3MM	LED3MM
LD0	29300	LD04P	T0220
M1	MOTOR	GM11a/GM18	POLOLU BRACKET
M2	MOTOR	GM11a/GM18	POLOLU BRACKET
N1	220	G04R	SIL5
N2	10K	G04R	SIL5
N3	220	G04R	SIL5
N4	10K	G04R	SIL5
N5	100K	G04R	SIL5
Q1	16MHz	CRYSTALHC49S	HC49/S
R1	0.2	RESISTOR	0207/7
R2	180	RESISTOR	0207/7
R3	3K9	RESISTOR	0207/7
R4	18K	RESISTOR	0207/7
R5	400	RESISTOR	0207/7
R6	400	RESISTOR	0207/7
R11	10k	RESISTOR	0207/7
R13	18K	RESISTOR	0207/7
RESET		10-XX	B3F-10XX
S2		10-XX	B3F-10XX

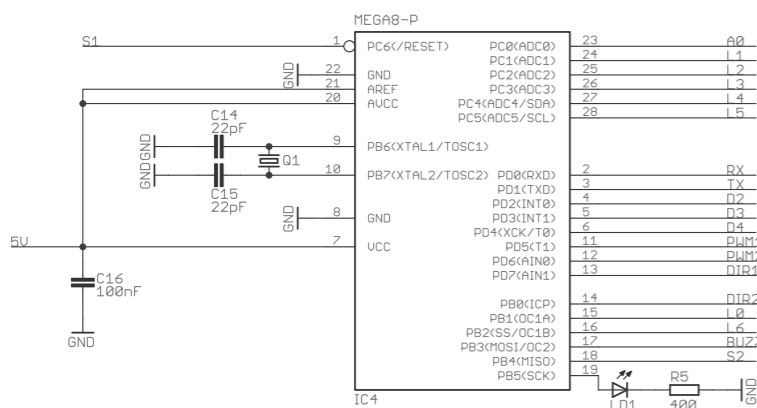
# LDO y StepUp



# L293D



# ATmega



v 1.00 (E002)  
Mayo 2011